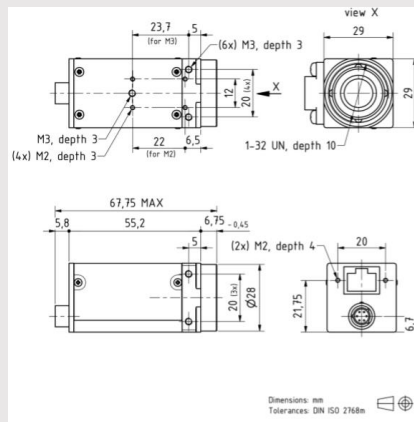
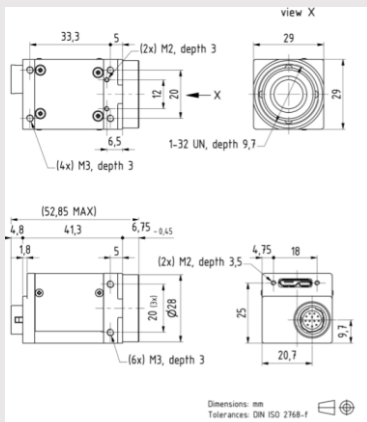


NVxxxG & NVxxxU Series



- Color & mono
- GiGE Vision Standard
- Sony Imager
 - IMX273
 - IMX265
 - IMX174
 - IMX264
- Global shutter
- PoE (GiGE version only)
- C/CS Mount adaptation
- Dimensions
 - 29mm*29mm*57mm (GiGE)
 - 29mm*29mm*43mm (USB)
- 8 bit Bayer, 12 bit Bayer Packed, 16 bit Bayer Pixel Format



Available Cameras

All global shutter

Name	Imager	Pixel	Data	Frame rate	Currency	Price
NV273U	1/2.9" IMX273	1440*1080	USB 3	238 fps	EUR	299
NV265U	1/1.8" IMX265	2048*1536	USB 3	60 fps	EUR	530
NV264U	2/3" IMX264	2448*2048	USB 3	38 fps	EUR	699
NV174U	1/1.2" IMX174	1920*1200	USB 3	162 fps	EUR	660
NV273G	1/2,.9" IMX273	1440*1080	GiGE	75 fps	EUR	299
NV174G	1/1.2" IMX174	1920*1200	GiGE	50 fps	EUR	660
NV265G	1/1.8" IMX265	2048*1536	GiGE	36 fps	EUR	379
NV264G	2/3" IMX264	2448*2048	GiGE	24 fps	EUR	629

SDK download

<https://www.matrix-vision.com/treiber-software.html>

<http://www.theimagingsource.com/support/downloads/>

Full GiGE vision compatible

Other SDK's will working probably